



---

# Guidelines to construct outdoor performance cushions

BY:

**QUICKDRY**   
THE INSIDE THAT'S UNBEATABLE OUTSIDE

[www.urecelquickdry.com](http://www.urecelquickdry.com)

## What is outdoor performance cushion?

Outdoor performance cushion means the cushions that can be used on outdoor environment with minimum maintenance.

## How to construct outdoor performance cushions?

Urecel Quickdry have 2 easy steps to construct the best outdoor performance cushions.

---

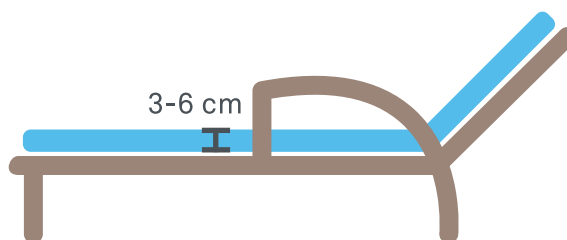
### Step 1

Choose your firmness according to the thickness of cushion and (or) types of furniture.

---

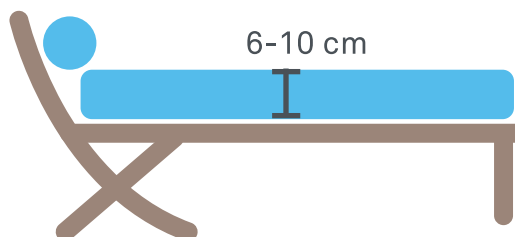
- **FIRM.**

Thickness : 3-6 cm  
Density :  $\pm 28 \text{ Kg/m}^3$   
Recommended use :  
Dining Chair, Deck Chair, Driving.



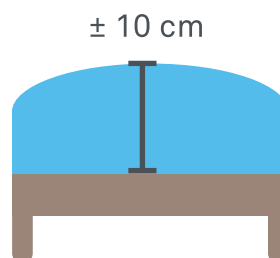
- **MEDIUM.**

Thickness : 6-10 cm  
Density :  $\pm 27 \text{ Kg/m}^3$   
Recommended use :  
Dining Chair, Lounger



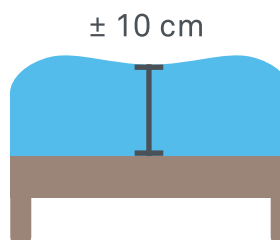
- **SOFT.**

Thickness :  $\pm 10 \text{ cm}$   
Density :  $\pm 24 \text{ Kg/m}^3$   
Recommended use :  
Sofa , Lounge



- **SUPER SOFT.**

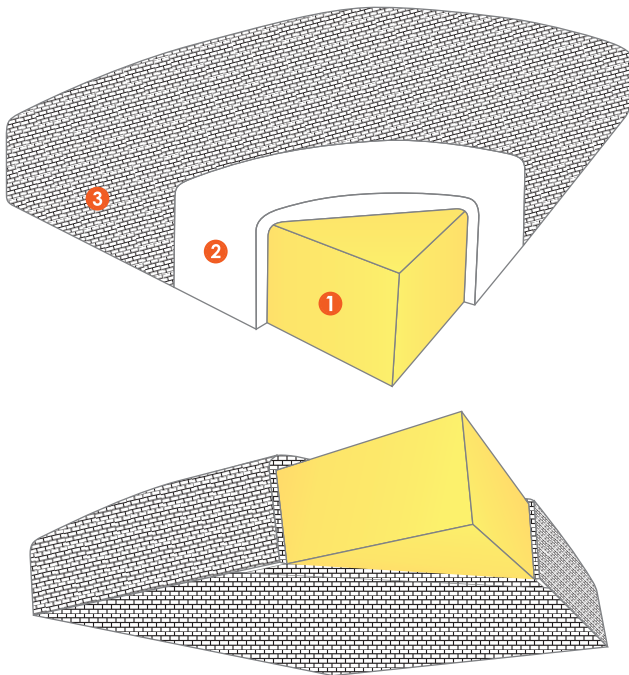
Thickness :  $\pm 10 \text{ cm}$   
Density :  $\pm 23 \text{ Kg/m}^3$   
Recommended use :  
Deep seating sofa, Back cushion



## Step 2

Choose the material to construct cushion insert.

### Cushion insertpad construction



- 1 URECEL QUICKDRY FOAM
- 2 POLYESTER NON WOVEN
  - Provides extra plushness
  - Whole cushion looks full
  - Eliminates wrinkle
  - Create dome shape so water can run off
- 3 MESH FABRIC LINING  
(Monofilament nylon tricot)  
To maximize the breathability

*Do not use polyester non woven at the bottom so the water can drain quicker.*

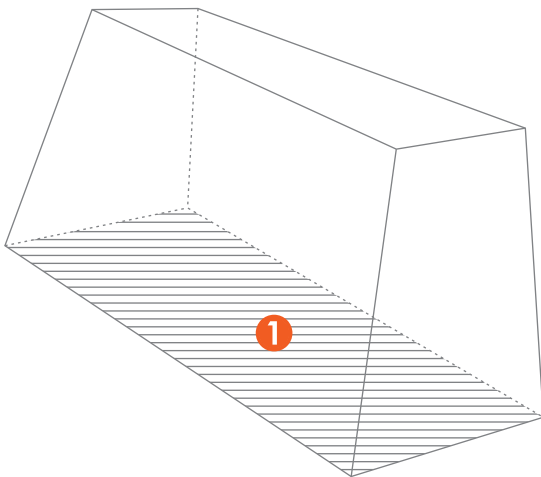


- 1 OUTER COVER  
(Outdoor fabric)
- 2 DRAINAGE MESH FABRIC  
(Lets the water out of the cushion)



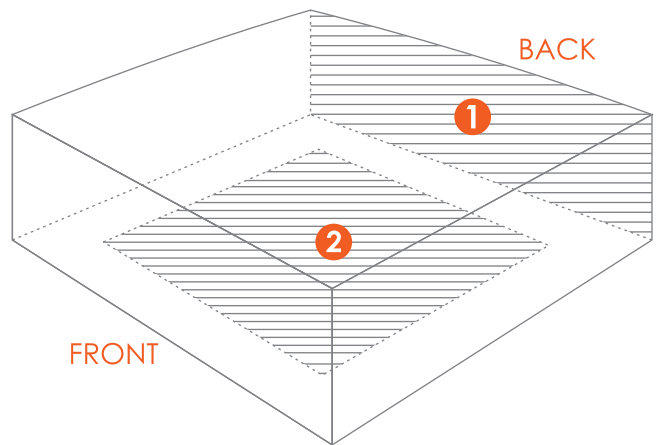
# Back & Seat cushion constructions

The recommended construction by Urecel Quickdry for back & seat cushions



## BACK CUSHION

**1** Recommended drainage position



## SEAT CUSHION

*If seat cushion is reversible, the position **1** is recommended, as the cushion should be tilted upwards, when it is not use.*

*If the cushion is not reversible, the position **2** is recommended.*

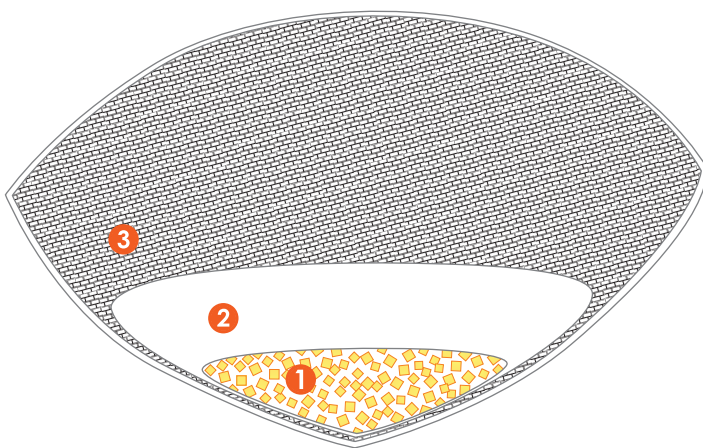
*In order to have maximum drainage, please allow generous area of drainage section.*

## Throw pillow consturcions

The recommended construction by Urecel Quickdry for throw pillow



### URECEL QUICKDRY THROW PILLOW



- 1 URECEL QUICKDRY PALLETS
- 2 POLYESTER NON WOVEN
  - Provides extra plushness
  - Whole cushion looks full
  - Eliminates wrinkle
- 3 MESH FABRIC LINING  
(Monofilament nylon tricot)

